

DESCRIPTION

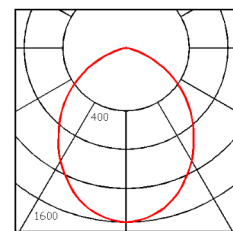
The L600 LED Recessed Slot light fixture provides a seamless and sophisticated look to any project. The L600 provides a high level of design options, making this lighting system the perfect choice for high-end hotel lobbies, offices, universities, and retail spaces.

SPECIFICATIONS

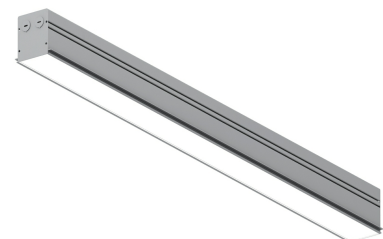
Housing:	Extruded aluminum
Lengths:	2', 3', 4', 5', 6', and 8' fixtures for individual or continuous row mounting
Finish:	Durable, low gloss, textured powder coating
Approvals:	UL/cUL Listed
Light Engine:	LED boards and drivers
Lumen Output:	Super saver, high output, very high output, and extreme output options
Optics:	Snap in acrylic lens for soft, diffused light
Dimming:	0-10V Dimming to <1%
CRI:	82+
Mounting:	Flanged and non-flange for sheetrock, slot T, tegular, and T-grid
Battery:	Optional 12 watt constant power emergency battery
I.E.S.:	Available upon request
Warranty:	5-Year limited warranty

PHOTOMETRICS

* Measurements based on High Level Output 4' 4000k fixture with 3" Aperture



4473 lumens
107 lumens per Watt



FIXTURE OPTIONS

Ordering Example: L603R-48-M-L-30-MVO-VHO-WHT

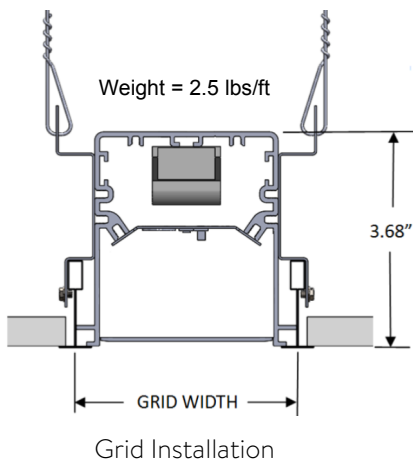
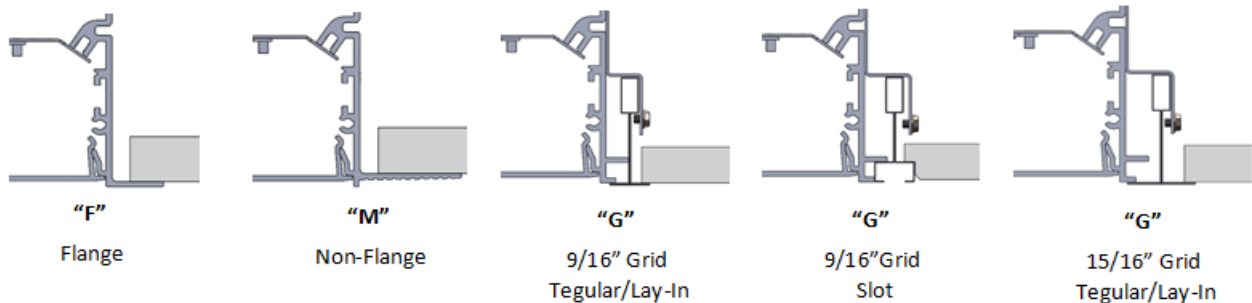
FIXTURE SERIES	LENGTH	TRIM	LENS	LED COLOR	VOLTAGE	OUTPUT	FINISH	INTEGRATED SENSOR	OPTIONS
L603R 3" Lens	Individual Fixture	F Flange (3/4" flange for sheetrock)	L Lens	30 3000k	MVO 120-277v	SS Super Saver	WHT	Blank None	Blank None
L604R 4" Lens	24 - 2" 36 - 3" 48 - 4" 60 - 5" 72 - 6" 96 - 8" XX - Custom length 25-35 inches Must be ordered in 1" increments	M Non-flange (trimless for sheetrock)	N No lens	35 3500k 40 4000k 50 5000k	347 347v	HO High Output VHO Very High Output EO Extreme Output	* Consult factory for custom colors	DAY Daylight OCC Occupancy	FF Fast blow fuse FS Slow blow fuse EC Emergency circuit
		G 15/16" Grid, slot T 9/16" Tegular grid 9/16" Grid	* Must order lens seperately if "N" is selected (consult factory)						

3" Aperture Lumen Output

Output Package	Lumens	Watts	Lumens Per/Foot	Lumens/Watt
Super Saver (SS)	2835	22.5	684	112
High (HO)	3919	35.5	980	110
Very High (VHO)	4473	42	1118	107
Extreme Output (EO)	4971	47	1242	107

4" Aperture Lumen Output

Output Package	Lumens	Watts	Lumens Per/Foot	Lumens/Watt
Super Saver (SS)	2830	22.5	708	125
High (HO)	4284	35.5	1017	120
Very High (VHO)	4958	42	1217	116
Extreme Output (EO)	5412	47	1353	115

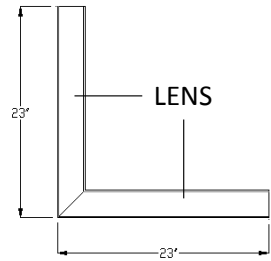
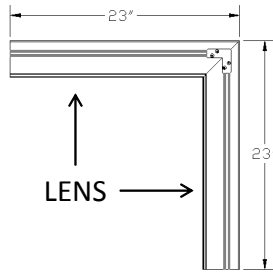
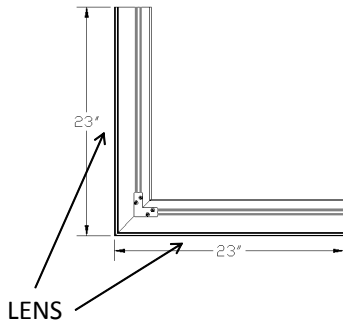


DESCRIPTION	ORDERING	APPLICATION
Flange 3" width endcap kit	L603R-F	1 kit required per row @ 3" flange location
Non-flanged 3" width endcap kit	L603R-M	1 kit required per row @ 3" non-flange location
Grid 3" width endcap kit	L603R-G	1 kit required per row @ 3" grid location
Flange 4" width endcap kit	L604R-F	1 kit required per row @ 4" flange location
Non-flanged 4" width endcap kit	L604R-M	1 kit required per row @ 4" non-flange location
Grid 4" width endcap kit	L604R-G	1 kit required per row @ 4" grid location
Wire feed starter kit	L600R-SK	1 required per power location to connect to harness

RECESSED CORNERS OPTIONS

Ordering Example: L603RC-H9-F- 30-MVO-VHO-WHT

FIXTURE SERIES	TYPE	TRIM	COLOR	VOLTAGE	OUTPUT	FINISH	OPTIONS
L603RC 3" Lens	VO Vertical Out	F Flange (3/4" flange for sheetrock)	30 3000k	MVO 120-277v	HO High	WHT	Blank (None)
L604RC 4" Lens	VI Vertical In	M Non-Flange (Trimless for sheetrock)	35 3500k	347 347v	SS Super Saver	* Consult factory for custom colors	FF Fast Blow Fuse
	H9 Horizontal	G 15/16" Grid, Slot T 9/16" Tegular Grid 9/16" Grid	40 4000k		VHO Very High Output		FS Slow Blow Fuse
		* Not intended for post sheetrock applications	50 5000k		EO Extreme Output		EC Emergency Circuit IC Insulation Contact



3" Aperture Lumen Output

Output Package	Lumens	Watts	Lumens Per/Foot	Lumens/Watt
Super Saver (SS)	2393	20	684	119
High (HO)	3429	30	980	114
Very High (VHO)	3913	36	1118	108
Extreme Output (EO)	4349	40	1242	108

4" Aperture Lumen Output

Output Package	Lumens	Watts	Lumens Per/Foot	Lumens/Watt
Super Saver (SS)	2476	20	708	123
High (HO)	3748	30	1017	124
Very High (VHO)	4338	36	1217	120
Extreme Output (EO)	4735	40	1353	118

