



### DESCRIPTION

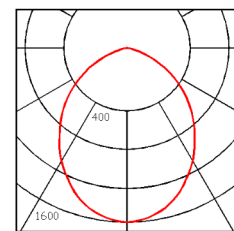
The L600 LED Linear Pendant light fixture provides a truly unique and sophisticated look for any project requiring an easy to install, upscale lighting system. The L600 Linear Pendant gives you the efficiency you've come to expect from LED's with a slim and sleek profile making it the perfect choice for high-end hotel lobbies, offices, universities, and retail spaces.

### SPECIFICATIONS

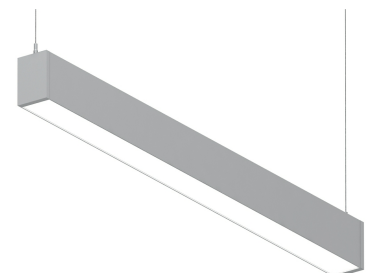
- Housing: Extruded aluminum
- Lengths: 4' and 8' fixtures for individual or continuous row mounting
- Finish: Durable, low gloss, textured powder coating
- Approvals: UL/cUL Listed
- Light Engine: LED boards and drivers
- Lumen Output: Super saver, high output, very high output, and extreme output options
- Optics: Snap in acrylic lens for soft, diffused light
- Dimming: 0-10V dimming to <1%
- CRI: 82+
- Mounting: Single point cable mount or stem
- Battery: Optional 12 watt constant power emergency battery
- I.E.S. Available upon request
- Warranty: 5-Year limited warranty

### PHOTOMETRICS

\* Measurements based on High Level Output 4' 4000k fixture with 3" Aperture



4473 lumens  
107 lumens per Watt



## FIXTURE OPTIONS

Ordering Example: L600P-48-30-MVO-HO-WHT

FIXTURE SERIES	LENGTH	LED COLOR	VOLTAGE	OUTPUT	FINISH	INTEGRATED SENSOR	OPTIONS
L603P 3" Lens	Individual Fixture	30 3000k	MVO 120-277v	SS Super Saver	WHT	Blank None	Blank None
L604P 4" Lens	48 - 4"	35 3500k	347 347v	HO High Output	* Consult factory for custom colors	DAY Daylight	FF Fast blow fuse
	96 - 8"	40 4000k		VHO Very High Output		OCC Occupancy	FS Slow blow fuse
		50 5000k		EO Extreme Output			EC Emergency circuit

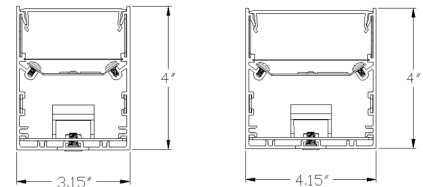
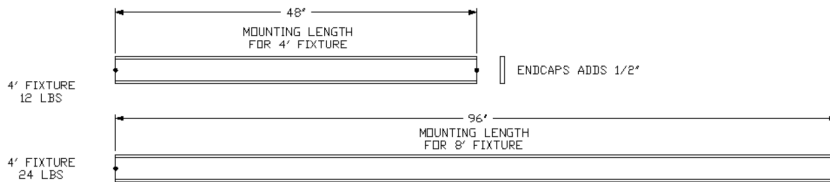
### 3" Aperture Lumen Output

4' Output Package	Lumens	Watts	Lumens Per/Foot	Lumens/Watt
Super Saver (SS)	2735	22.4	684	112
High (HO)	3919	35.5	980	110
Very High (VHO)	4473	42	1118	107
Extreme Output (EO)	4971	47	1242	107

### 4" Aperture Lumen Output

4' Output Package	Lumens	Watts	Lumens Per/Foot	Lumens/Watt
Super Saver (SS)	2830	22.5	708	125
High (HO)	4284	35.5	1017	120
Very High (VHO)	4958	42	1217	116
Extreme Output (EO)	5412	47	1353	115

## MOUNTING SUPPORT LENGTHS & FIXTURE WEIGHTS



## HARDWARE ORDERING EXAMPLE: SFD-C-15C-UE-FA-36

PREFIX	FIXTURE ATTACHMENT	CEILING TYPE	VOLTAGE	SUSPENSION	SUSPENSION LENGTH
SFD Single circuit feed dimmable	C Single point cable	HC Hard ceiling	UE 120-277	FA Fully assembled	18 24" adjustable cable
EF Emergency circuit feed	S Stem mount	SC Screw set clip	347 347		24 30" adjustable cable
NP Non-power feed		15C 15/16" tee clip			36 42" adjustable cable
SMP Stem power feed		9C 9/16" tee clip			72 78" adjustable cable
SMNP Stem non-power feed					144 150" adjustable cable

\*\* KIT CONTENTS: Support clips for T-bar, OR straps for J-box, with threaded stud for cable connection, one white canopy, aircraft cable, feed cord (except non-feed hangers), fixture attachment hardware

## ENDCAPS

FIXTURE SERIES	WIDTH	DESCRIPTION
L603P - EP	3"	Cable mount endplate kit
L604P - EP	4"	Cable mount endplate kit
L603P - SEP	3"	Stem mount endplate kit
L604P - SEP	4"	Stem mount endplate kit

\* One kit required per fixture run

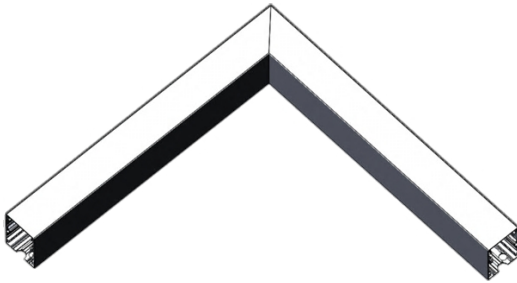
## MOUNTING TYPES



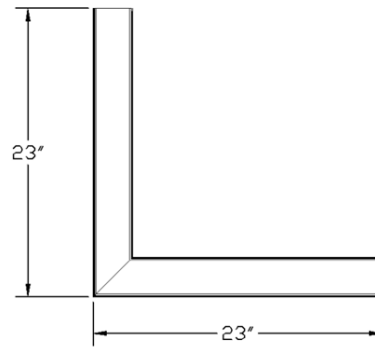
## PENDANT CORNERS OPTIONS

Ordering Example: L603PC-H9-30-MVO-VHO-WHT

FIXTURE SERIES	TYPE	COLOR	VOLTAGE	OUTPUT	FINISH	OPTIONS
L603PC 3" Lens L604PC 4" Lens	H9 Horizontal	30 3000k 35 3500k 40 4000k 50 5000k	MVO 120-277v 347 347v	HO High SS Super Saver VHO Very High Output EO Extreme Output	WHT  * Consult factory for custom colors	Blank (None) FF Fast Blow Fuse FS Slow Blow Fuse EC Emergency Circuit



Horizontal Corners



Dimensions

### 3" Aperture Lumen Output

Output Package	Lumens	Watts	Lumens Per/Foot	Lumens/Watt
Super Saver (SS)	2393	20	684	119
High (HO)	3429	30	980	114
Very High (VHO)	3913	36	1118	108
Extreme Output (EO)	4349	40	1242	108

### 4" Aperture Lumen Output

Output Package	Lumens	Watts	Lumens Per/Foot	Lumens/Watt
Super Saver (SS)	2476	20	708	123
High (HO)	3748	30	1017	124
Very High (VHO)	4338	36	1217	120
Extreme Output (EO)	4735	40	1353	118