



### DESCRIPTION

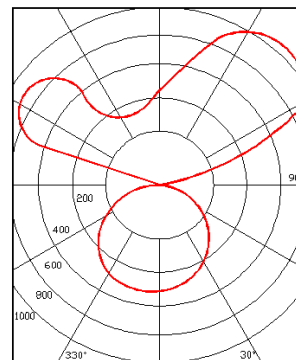
The L350 Wall luminaire is a low-profile, lensed compliment to the L300 and L400 pendant series luminaire. Configured for either individual or continuous runs, the L350 Wall offers a partially curved design with a flat underside making it a great choice for your lighting projects in open and private offices, educational facilities, retail, or other applications.

### SPECIFICATIONS

Housing:	20 gauge cold-rolled steel construction
Lengths:	4' and 8' fixtures that can also be joined for continuous rows
Finish:	Durable, low gloss, textured powder coated finish
End Caps:	Flat end cap provides a clean finish
Approvals:	UL/CUL
LED Engine:	Dimming driver and LED board combination
Optional Drivers:	Lutron, Osram, EldoLED and other options available
Distribution:	Standard 70/30 with optional distributions available
Optic:	Frosted Lens creates a smooth downlight feature
Output Package:	Super saver, high output, and very high output lumen levels available
Sensor:	Optional integrated daylight or occupancy sensors
LED Color:	Available color temperatures of 3000k, 3500k, and 4000k
Mounting:	Wall brackets included with fixture (2 per 4' or 3 per 8')
Battery:	Optional 12 watt constant power emergency battery
CRI:	82+
I.E.S. Data:	Available upon request
Warranty:	5-Year limited warranty

### PHOTOMETRICS

\* Measurements based on High level output



70/30 – Standard  
 3927 lumens  
 72% up - 28% down  
 106 lm/W

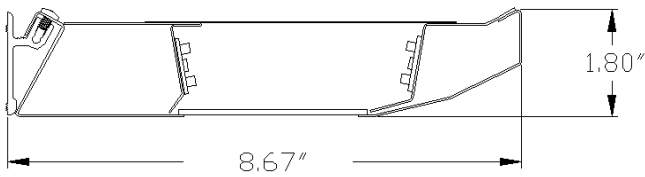


## FIXTURE OPTIONS

Ordering Example: L350W-4-30-120-HO-WHT

FIXTURE SERIES	LENGTH	LED COLOR	VOLTAGE	OUTPUT	DISTRIBUTION TYPE	EMERGENCY CIRCUIT	FINISH	INTEGRATED SENSOR	OPTIONS
L350W Lens	4	30 3000k	MVO 120-277v	SS Super Saver	Blank Standard	Blank None EF Separate individual emergency feed EHF Emergency through wiring with separate feed EHS Emergency through wiring single feed with shared neutral	WHT	Blank None DAY Daylight OCC Occupancy	Blank None FF Fast blow fuse FS Slow blow fuse EB Emergency battery EC Emergency circuit
	8	35 3500k	120 120v	HO High Output					
	40	4000k	277 277v						
	50	5000k	347 347v						

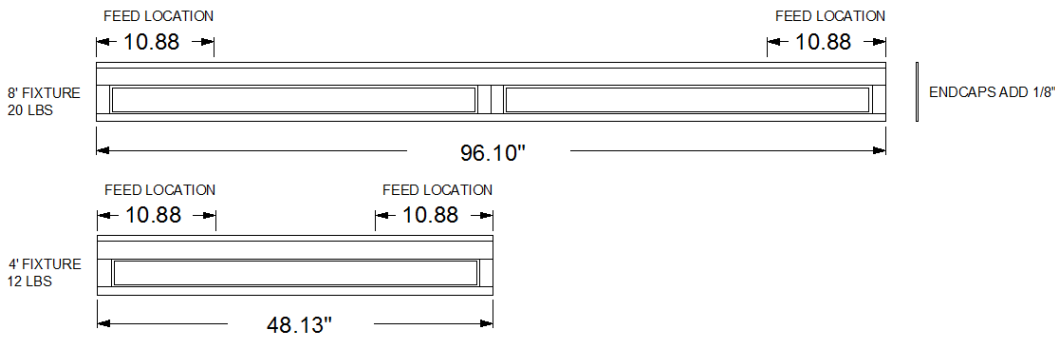
\* END CAP KIT: L350W -WHT (One kit required per fixture run)



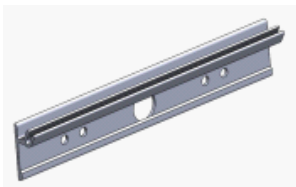
4' Output Package	Lumens	Watts	Lumens/Watt
Super Saver (SS)	2794	26	107
High Output (HO)	3927	37	106

\* Based on 4000k

## MOUNTING SUPPORT LENGTHS



## MOUNTING HARDWARE



WALL BRACKETS INCLUDED

